

Digital Viscosity Control Device



Type of machine CP 80-63-02

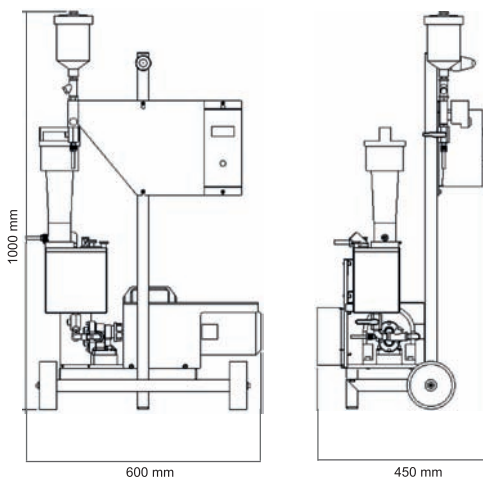
Ink reservoir 1,0 L - 2,0 L

Viscosity measuring cup DIN 4 mm

Power supply ink pump 400 V · 50/60 Hz · 3 Ph

Power supply control device 220 V · 50/60 Hz

Weight approx. 35 kg



Due to volatility of the solvents, a change in the viscosity of your printing ink is inevitable. Our viscosity control device is able to avoid up- and down-turns of the viscosity during the manufacturing process. This leads to a good permanent printing quality. We recommend to use this viscosity control device for line speeds higher than 500 m/min.

First class corrosion-resistant materials facilitate the cleaning and help to ensure long running times.